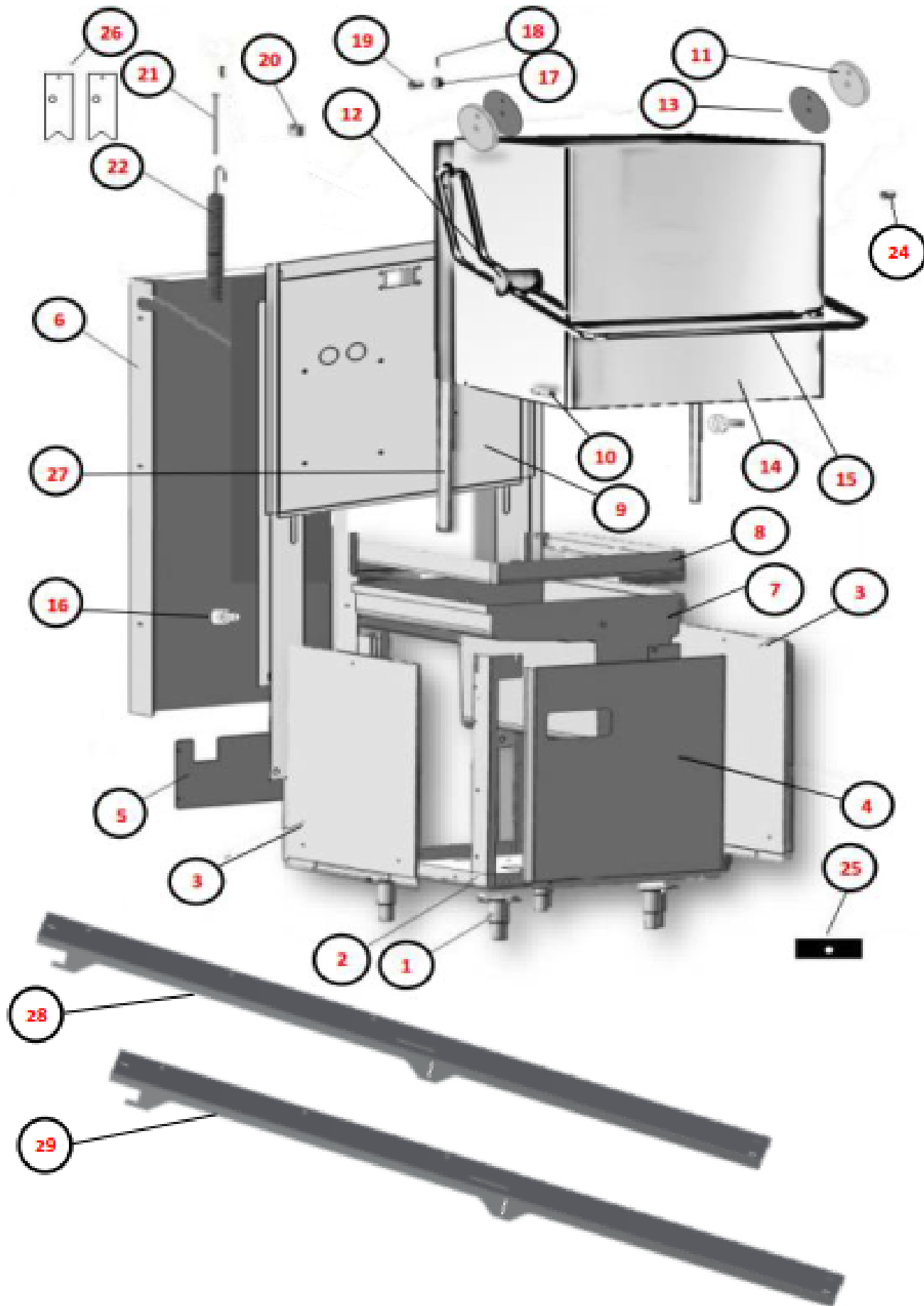


# GHW1300SSW

POS	CODE	DESCRIPTION	DESCRIPTION	QTA
1	P1 (3)	PANNELLERIA	FRAME	1
2	P1 (4)	PANNELLERIA	FRAME	1
3	P2 (2)	RISCIACQUO	RINSE	1
4	P3 (4)	LAVAGGIO	WASH	1
5	P3 (5)	LAVAGGIO	WASH	1
6	P4 (2)	GIRANTI	ARMS	1
7	P5 (2)	CABLAGGIO	WIRING	1
8	O1	DOSATORI	DISPENSER	1



POS	CODE	DESCRIZIONE	DESCRIPTION	NR
1	TR0061	PIEDE 1"1/2"	LEG 1"1/2"	4
2	901390	BASAMENTO CAPOTE MONOPEZZO CON TRAVERSE	STAND CAPOT ONE-PIECE WITH CROSSBARS	1
3	900652	PANN. LAT. N1000/N1300 DX-SX	SIDE PANEL N1000/N1300 RH/LH	2
4	900650	PANN. COM. N1000/N1300 COMPL.	FRONT PANEL N1000/N1300 COMPL.	1
5	900670	PANN. POST. INF. N1000/N1300/N1000B/N1300	LOWER BACK PANEL N1000/N1300/N1000B/N1300	1
6	902900	PANNELLO POSTERIORE CAPOT SLIM	BACK PANNEL CAPOT SLIM	1
7	900679	VASCA N1300 STAMPATA PER RESISTENZA DA 4800W	MOULDED TANK N1300 FOR HEATING ELEMENT 4800W	1
8	900397	FASCIA COPERTURA VASCA CAPOTE 2015	COVERING TANK BAND HOOD TYPE 2015	1
9	902100	SCHIENALE CAPOTE TUTTE AIR TRAP 2020	BACKREST CAPOTE ALL AIR TRAP 2020	1
10	900700	MAGNETE + CUSTODIA CAPOT/LP37	MAGNET + CONTAIER HOOD TYPE/LP37	1
11	901607	DISTANZIALE SUPPORTO MANIGLIONE CAPOTE	HANDLE SUPPORT SPACER HOOD	2
12	902615	SUPPORTO MANIGLIONE NEW CAPOTE	SUPPORT HANDLE NEW HOOD	2
13	901606	GUARN. SUPP. MANIGLIONE CAPOTE	HANDLE-SUPPORT GASKET HOOD TYPE	2
14	902890	CAPOTTA COMPLETA CAPOT SLIM	HOOD COMPLETE CAPOT SLIM	1
15	903670	MANIGLIONE NE Ø 25X SUPP.TONDO	ROUND SUPPORT FOR HANDLE NE Ø 25	1
16	902481	PERNO FILETTATO FERMO CAPOTE	STATIONARY THREADED PIN HOOD	2
17	900066	ROTELLA SUPP. MOLLA E1000/N1000/N1300	SUPPORT SPRING WHEEL E1000/N1000/N1300	2
18	907773	COPIGLIA 2X30	SPLIT PIN 2X30	2
19	904796	PERNO ROTELLA SOLLEV. E1000/N1000/N1300	PIVOT FOR RAISING HOOD E1000/N1000/N1300	2
20	900703	BOCCOLA APPOGGIO MANIGLIONE N1000/N1300	SUPPORT BUSHING N1000/N1300 HANDLE	2
21	907315	TIRANTE FILETTATO 10X350MM	THREADED TIE-ROD 10X350MM	2
22	904137	MOLLA SOLLEV. CAPOT E1000/ N1000/N1300	SPRING RAISING CAPOT E1000/ N1000/N1300	2
23	905030	AMMORTIZZATORI 29X20 T	RACK-CONVEYOR SHOCK ABSORBER 29X20	2
24	909101	COPRITESTA MANIGLIONE Ø25	HANDLE CAP Ø25	2
25	905440	FERMO CAPOTE	HOOD STOP HOOD TYPE	2
26	904752	PIASTR. LONGHERONE TIRAGGIO MOLLE	METAL STRUT PLATE FOR SPRINGS TIGHTENING	2
27	903673	GUIDA CUSCINETTO STRETTA	NARROW BEARING GUIDE	2
28	902120	LONGHERONE DX N1300 SLIM	METAL STRUT N1300 RIGHT SLIM	1
29	902129	LONGHERONE SX N1300 SLIM	METAL STRUT N1300 LEFT SLIM	1



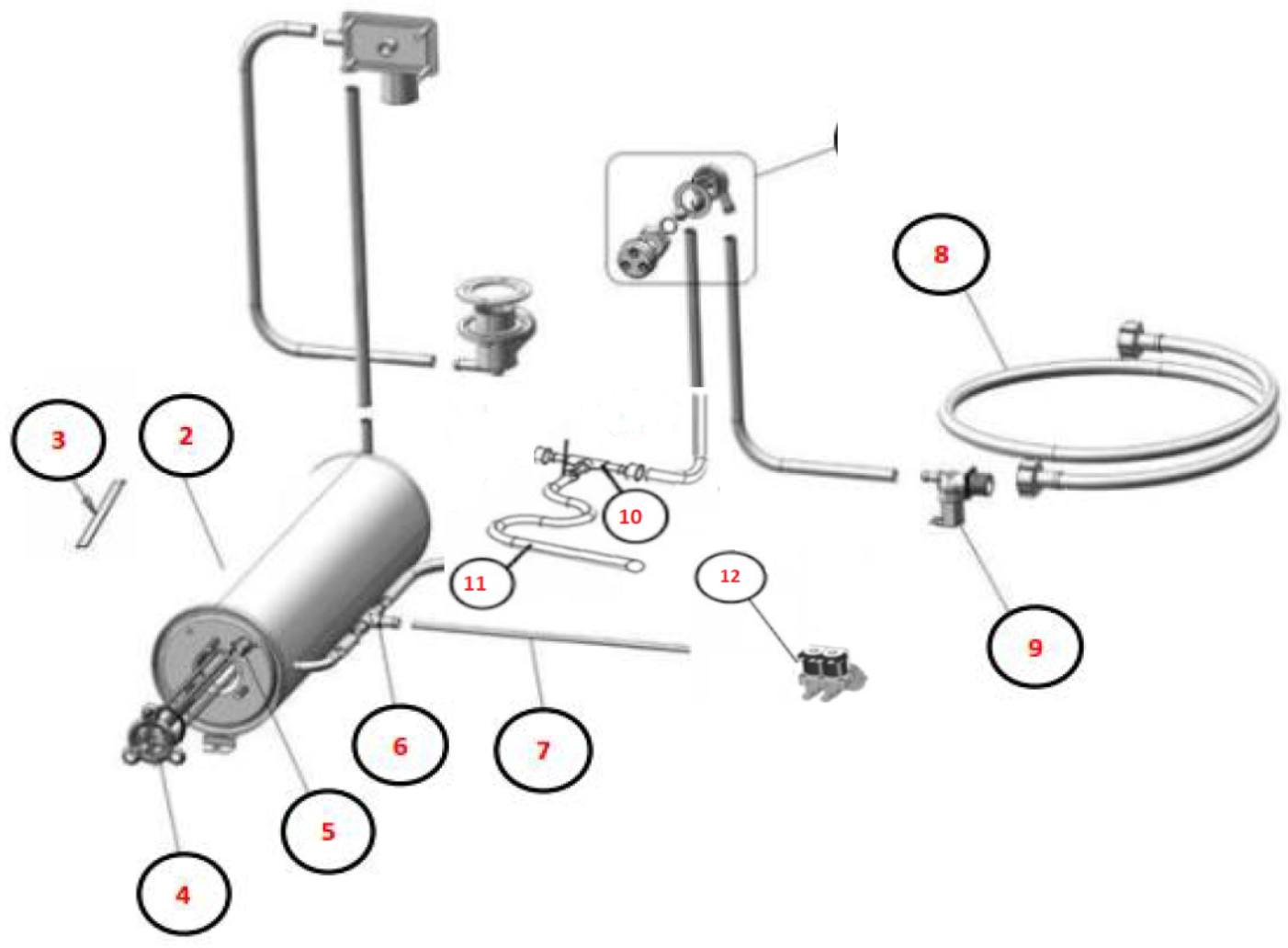




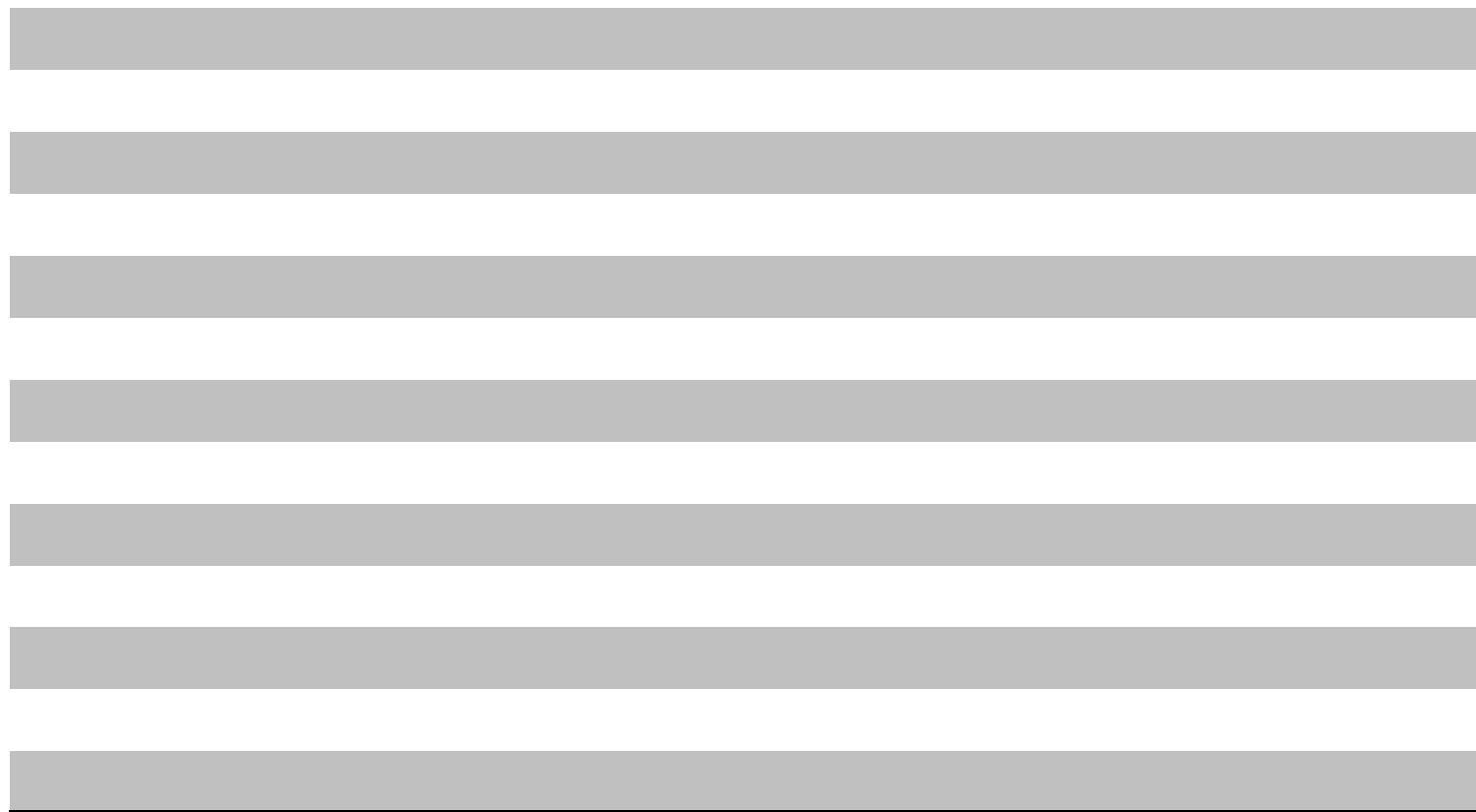


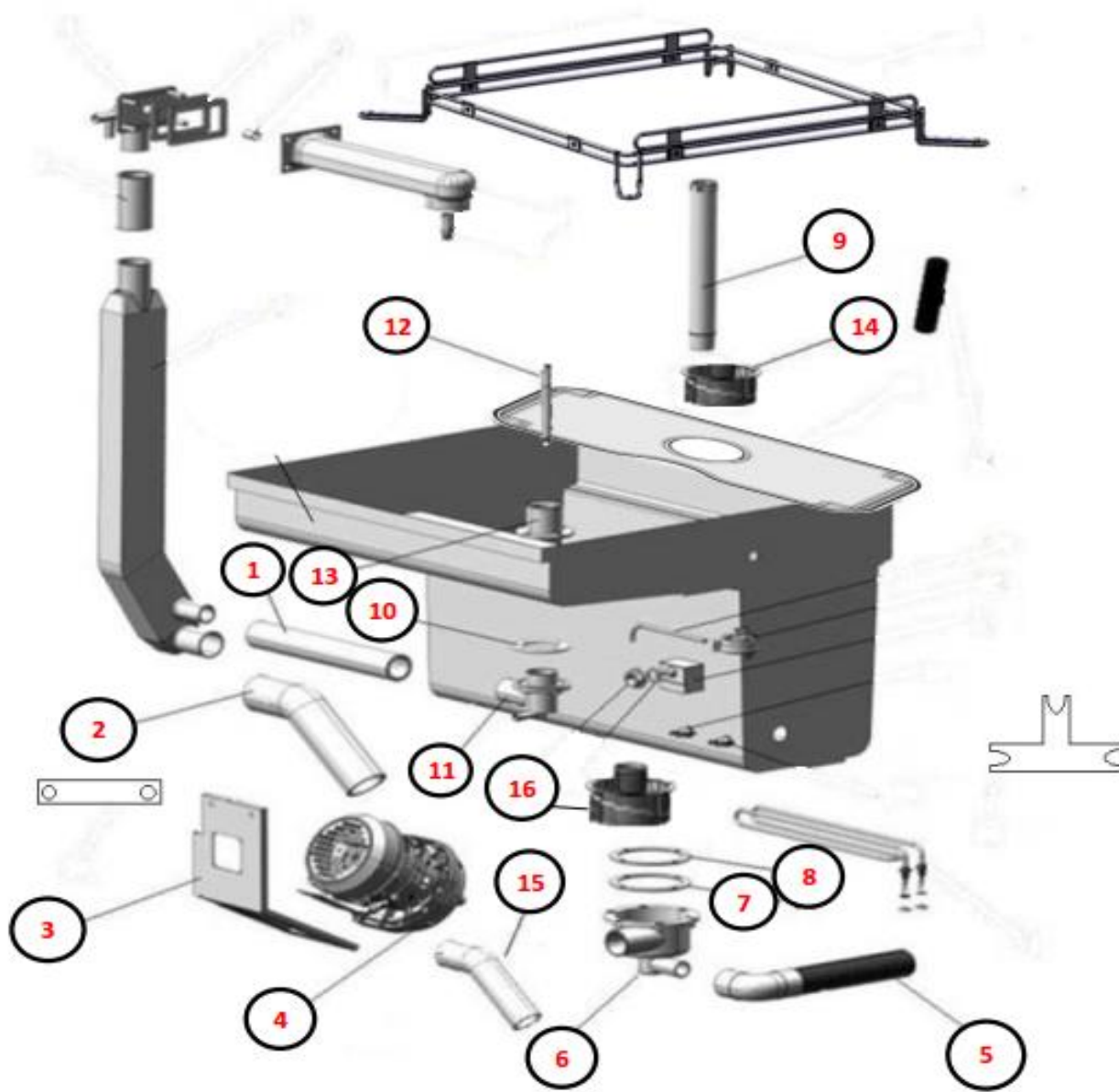
POS	CODE	DESCRIZIONE	DESCRIPTION	NR
1	TR2433	VALVOLA ANTIRITORNO	NON-RETURN VALVE	1
2	900436	BOILER HY-NRG 12lt +RES.10KW 2015	BOILER HY-NRG 12l + RES.10KW 2015	1
3	904075	LAMELLA OTTONE	BRASS PLATE	1
4	TR0342	RESIST. BOILER 10KW 230V +OR	BOILER HEATING ELEMENT 10KW 230V +OR	1
5	907297	TERMOSTATO SICUR. 110° PASTIGLIA	SAFETY THERMOSTAT 110° PADDLE	1
6	905434	RACC. 3 VIE DOSATORE SU POMPA	THREE-WAY CONNECTION DOSING PUMP	1
7	907279	TUBO SILICONE 4X7	SILICONE HOSE 4X7	1
8	907347	TUBO CARICO 90° 2000MM S 800 HW	WATER LOAD HOSE 90° 2000MM S 800 HW	1
9	902390	ELETTROV. 1 VIA Ø10	1-WAY SOLENOID VALVE Ø10	1
10	905434	RACC. 3 VIE DOSATORE SU POMPA	THREE-WAY CONNECTION DOSING PUMP	1
11	907279	TUBO SILICONE 4X7	SILICONE HOSE 4X7	1
12	908032	ELETTROV. 2 VIE RISC. SEQUENZIALE APERTA	2-WAY OPEN SOLENOID VALVE FOR SEQ. RINSE	1





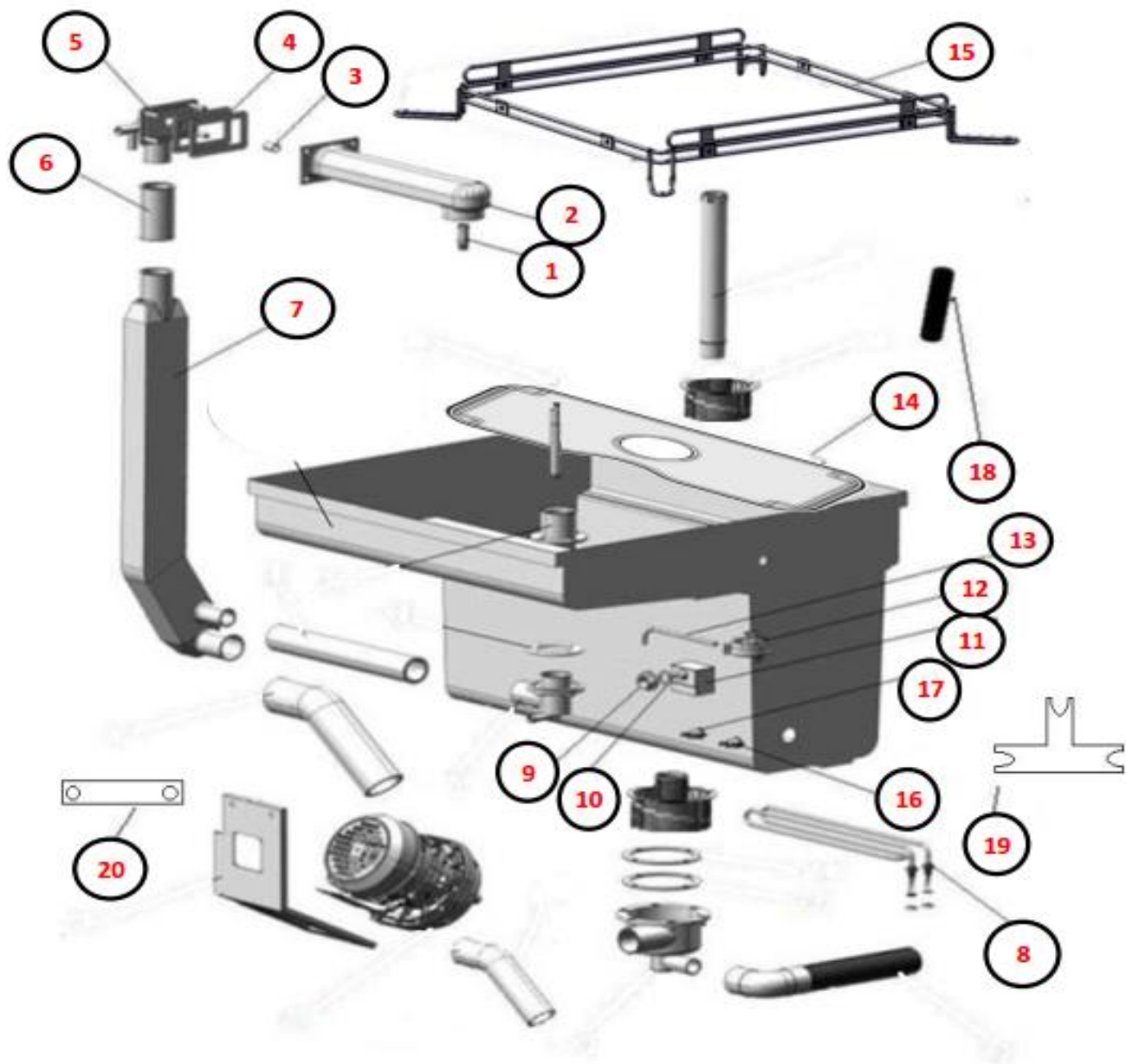
POS	CODE	DESCRIZIONE	DESCRIPTION	NR
1	908712	MANICOTTO MANDATA INF. N1000/N1300	INLET SLEEVE LOWER N1000/N1300	1
2	903697	MANICOTTO MANDATA N1000 2014	INLET SLEEVE N1000 2014	1
3	906362	SUPP. POMPA NE1000 ECO 2014	PUMP SUPPORT NE1000 ECO 2014	1
4	902286	POMPA 1.1KW 400/3/50 N1300 DX 2014	PUMP 1.1KW 400/3/50 N1300 RH 2014	1
5	907448	TUBO SCARICO Ø21-29 2000MM DRITTO	DRAIN HOSE Ø21-29 2000MM STRAIGHT	1
6	905237	POZZ. ASPIRAZ. MAGGIORATO ASP. Ø55	INCREASED SUMP Ø55	1
7	905378	GUARN. POZZETTO MAGGIORATO	INCREASED PIT GASKET	1
8	905238	FLANGIA POZZETTO MAGGIORATO ASP./SCAR.	FLANGE ASPIRATION/DRAIN SOAKAWAY	1
9	905449	MOZZO LAV. SX	WASH HUB LH	1
10	908141	GUARN. RACC. LAV. N45/N50/N700/N1000	GASKET WASH JUNCTION N45/N50/N700/N1000	1
11	905388	RACC. INF. LAV. E45/E50/N45/N50/N700/N1000	LOWER RINSE CONNECTION E45/E50/N45/N50/N700/N1000	1
12	908734	PERNO LAV. INF. N45/N50/N1000	LOWER-WASH-ARM PIVOT N45/N50/N1000	1
13	907342	TROPPO PIENO N1000 STAMPATA-SALDATA 2014	OVERFLOW CAP N1000 MOULDED-WELDED 2014	1
14	902359	FILTRO SENZA CILINDRO PPL Ø98MM	FILTER WITHOUT PLASTIC BARREL Ø98MM	1
15	908746	MANICOTTO ASP. LAV. N1000 VASCA CORTA	ASPIRATION SLEEVE WASH N1000	1
16	902397	FILTRO CON CILINDRO PPL H60MM Ø98MM	FILTER WITH PLASTIC BARREL H60MM Ø98MM	1





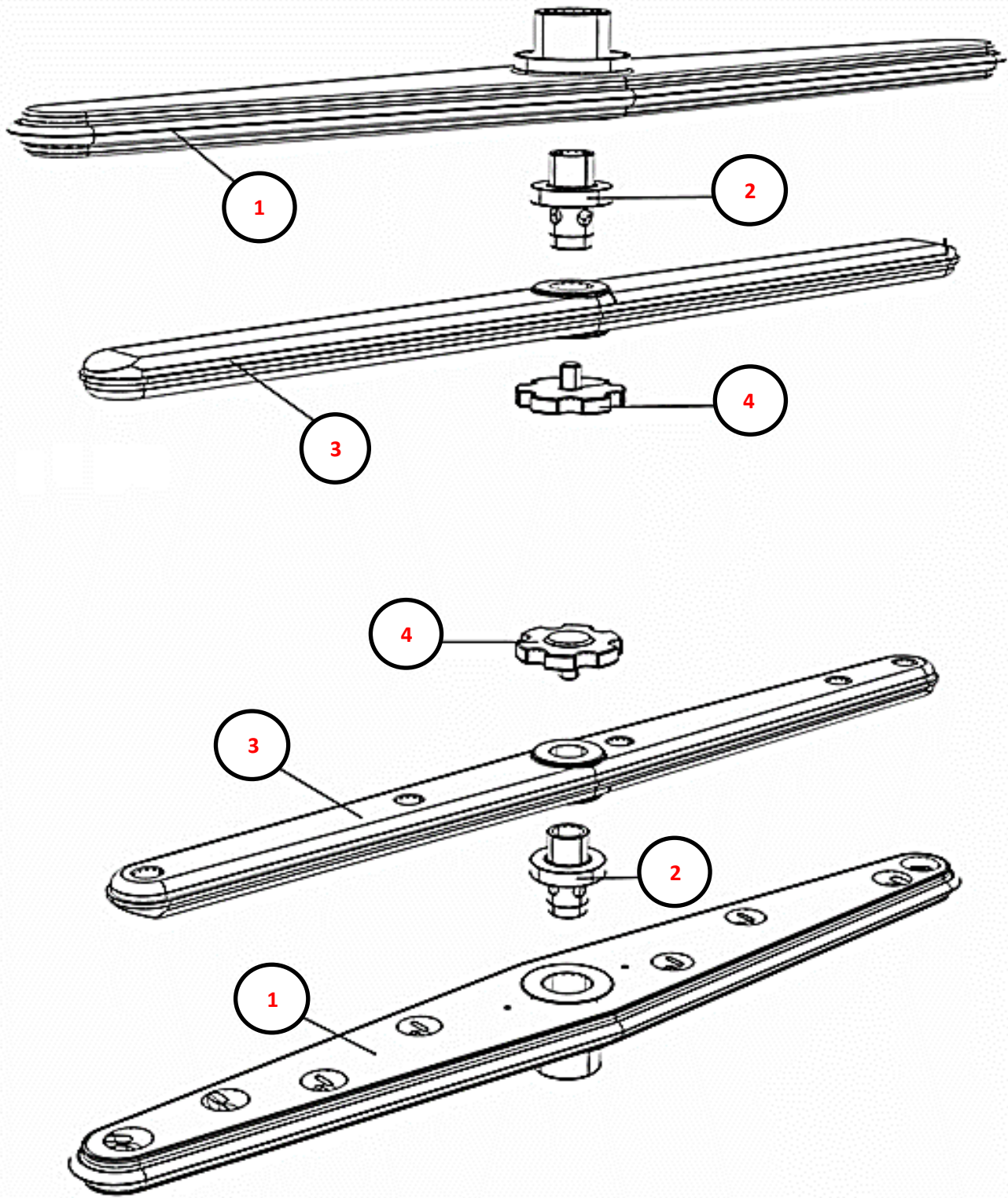
POS	CODE	DESCRIZIONE	DESCRIPTION	NR
1	904765	PERNO GIRANTE LAV. SUP. INF. 32MM	UPPER/LOWER PIVOT WASH ARM 32MM	1
2	908744	BRACCIO LAV. RISC. N1300-E1300	WASH/RINSE ARM N1300 - E1300	1
3	903379	GUARN. RACC. BRACCIO RISC.	JUNCTION GASKET RINSE ARM	1
4	903413	GUARN. ESTERNA COLONNA LAV. N1000/N1300	EXTERNAL GASKET WASH COLUMN N1000/N1300	2
5	908745	RACC. BRACCIO PPH	ARM CONNECTION PPH	1
6	903707	MANICOTTO MANDATA CAPPOTTA 165MM	INLET SLEEVE HOOD TYPE 165MM	1
7	908747	COLONNA LAV. N1000/N1300/E1000	WASH COLUMN N1000/N1300/E1000	1
8	905748	RESIST. VASCA 3KW 230V	TANK HEATING ELEMENT 3KW 230V	1
9	902111	GHIERA 3/8" PPL	PLASTIC FERRULE 3/8"	2
10	903260	GUARN. 3/8" TR. ARIA	GASKET 3/8", AIR TRAP	2
11	905273	TRAPPOLA ARIA 45MM GRIGIO	AIR TRAP 45MM GREY	1
12	905321	PRESSOSTATO 30/135 N1300	PRESSURE SWITCH 30/135 N1300	1
13	907279	TUBO SILICONE 4X7	SILICONE HOSE 4X7	1
14	902633	FILTRO SUPERF. E1000/NE1000/NE1300 SALDATA	SURFACE FILTER E1000/NE1000/NE1300	1
15	901679	TELAIO PORTA CESTELLO	BASKET-SUPPORT FRAME	1
16	907243	TERMOSTATO SICUR. 95° PASTIGLIA	SAFETY THERMOSTAT 95° PADDLE	1
17	907244	TERMOSTATO VASCA 55° PASTIGLIA	TANK THERMOSTAT 55° PADDLE	1
18	904958	PROT. RESISTENZA VASCA IN SILICONE	TANK-HEATING ELEMENT PROTECTION SILICONE	2
19	900171	SQUADRETTA 3 TERMOSTATI PASTIGLIA 2015	BRACKET 3 KLIXON THERMOSTATS 2015	1
20	906994	SUPP. PRESSOSTATI	PRESSURE SWITCH SUPPORT	1



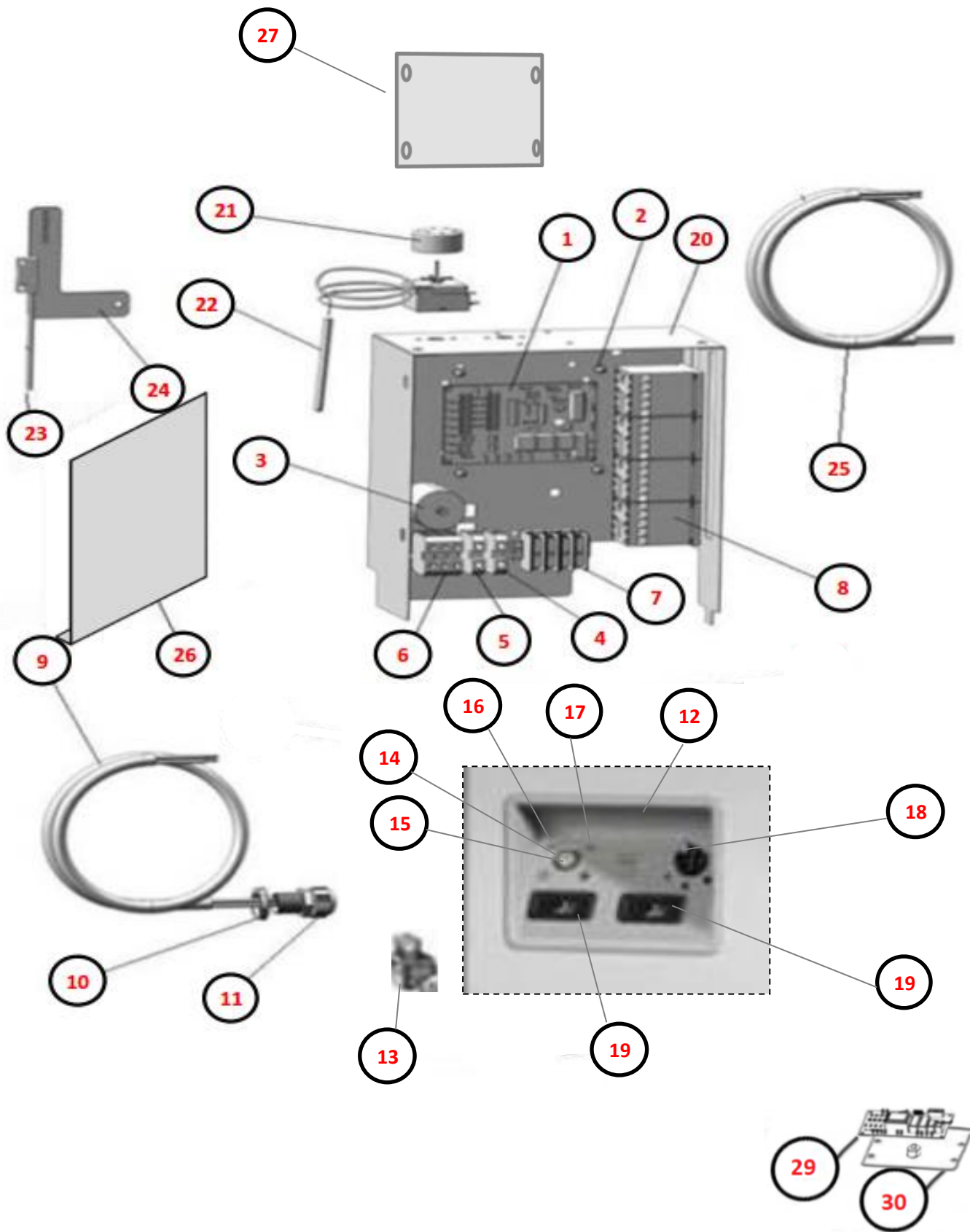








POS	CODE	DESCRIZIONE	DESCRIPTION	NR
1	907169	SCHEDA TRONIC CLONE ELCA	TRONIC BOARD CLONE ELCA	1
2	902193	DISTANZIALE TIMER ELETTRONICO	ELECTRONIC TIMER SPACER	4
3	902107	FILTRO ANTIDISTURBO TRIFASE	THREE-PHASED ANTINOISE FILTER	1
4	TR3178	MORSETTO 3P 16MM PASSANTE UNIVERSALE	CLAMP 3P 16MM UNIVERSAL THROUGH	1
5	904166	MORSETTO 1P 16MM	CLAMP 1P 16MM	1
6	904163	MORSETTO 1P 16MM TERRA	CLAMP 1P 16MM EARTH	1
7	904167	MORSETTO QUADRIPOLORE CON SPALLA	4-POLE CLAMP WITH BRACKET	1
8	907190	TELERUTTORE 9A 230V CON ATTUATORE LOVATO	CONTACTOR 9A WITH ACTUATOR LOVATO	3
9	906788	CAVO ALIMENTAZ. 5X2.5X3500 H07	POWER-SOURCE CABLE 5X2.5X3500 H07	1
10	TR0138	GHIERA PRESSACAVO PG21	FERRULE CAGLE GLAND PG21	1
11	TR0136	PRESSACAVO PG21	CABLE GLAD PG21	1
12	906852	RETROT. N1000-N1300 PPL 2012	BACKPLATE N1000-N1300 PP 2012	1
13	905314	INTERRUTTORE/DEVIATORE 6 FASTON INCLIN.	SWITCH/DIVERTER 6 INCLINED FASTONS	1
14	905345	SUPP. PULS. TONDO Ø25 NERO	ROUND-BUTTON SUPPORT Ø25 BLACK	1
15	905437	TASTO TONDO Ø25 ARGENTO OPACO	ROUND BUTTON Ø25 MATT GRAY	1
16	903711	LAMP. SPIA Ø6 VERDE	GREEN WARNING LIGHT Ø6	1
17	903710	LAMP. SPIA Ø6 ARANCIO	ORANGE WARNING LIGHT Ø6	1
18	909427	SEL. LUM. LEVA BIANCO 3 POS	WHITE-LIGHT LEVER SELECTOR 3 POS	1
19	907090	TERMOMETRO	THERMOMETER	2
20	901446	CASSETTA ELETTRICA CAPOT UNIFICATA	UNIFIED ELECTRIC BOX HOOD TYPE	1
21	903982	MANOPOLA TERMOSTATO 0/90°	THERMOSTAT KNOB 0/90°	1
22	907110	TERMOSTATO BOILER BGM 0/90 1000MM	THERMOSTAT BOILER BGM 0/90 1000MM	1
23	909105	REED MAGNETICO N1000-N1300-LP57	MAGNETIC REED N1000-N1300-LP57	1
24	908504	SQUAD. REED N1000-N1300	BRACKET REED N1000-N1300	1
25	901319	CAVI QUADRO CAPOT.	CABLES FOR ELECTRICAL PANEL HOOD TYPE	1
26	901447	COPERCHIO CASS. ELET. CAPOT UNIFICATA	UNIFIED ELECTRIC-BOX CAP HOOD TYPE	1
27	903623	ISOLATORE SCHEDE 907169	BOARD INSULATOR 907169	1
29	907460	SCHEDA RISCIAQUO SEQUENZIALE	ELECTRONIC BOARD SEQUENTIAL RINSE	1
30	903627	ISOLATORE SCHEDE RISCIAQUO SEQUENZIALE	ISOLATOR SEQUENTIAL RINSE TRONIC BOARD	1



POS	CODE	DESCRIZIONE	DESCRIPTION	NR
1	906620	PESO TUBETTO DET./BRILL.	WEIGHT RINSE PRODUCT/ETERGENT HOSE	2
2	907278	TUBO CRYSTAL ROSSO 4X7	TRASPARENT-RED HOSE 4X7	2
3	902046	TUBO CRYSTAL TRASP. 4X7	TRASPARENT HOSE 4X7	1
4	907279	TUBO SILICONE 4X7	SILICONE HOSE 4X7	1
5	902052	DOSATORE DETERS. PERIST. SEKO	PERISTALTIC DETERGENT PUMP	1
6	902062	DOSATORE BRILL. PERIST. SEKO TEMPORIZZATO	PERISTALTIC RINSE-PRODUCT PUMP WITH REGULATOR	1
7	952820	SUPP. DOS. PERISTALTICO DOPPIO	DOUBLE PERISTALTIC DOSING PUMP SUPPORT	1
8	902366	RACC. INOX ENTR. DETERSIVO VASCA	STAINLESS-STEEL INLET CONNECTION FOR DETERGENT IN TANK	1
9	903412	GUARN. FIBRA FORO POMPA DETERSIVO	FIBRE GASKET HOLE DETERGENT PUMP	1
10	906055	RONDELLA Ø10 P.	WASHER Ø10 P.	1
11	902022	DADO 10	NUT 10	1
12	902569	FILTRO DOSATORE	DOSING UNIT FILTER	2



